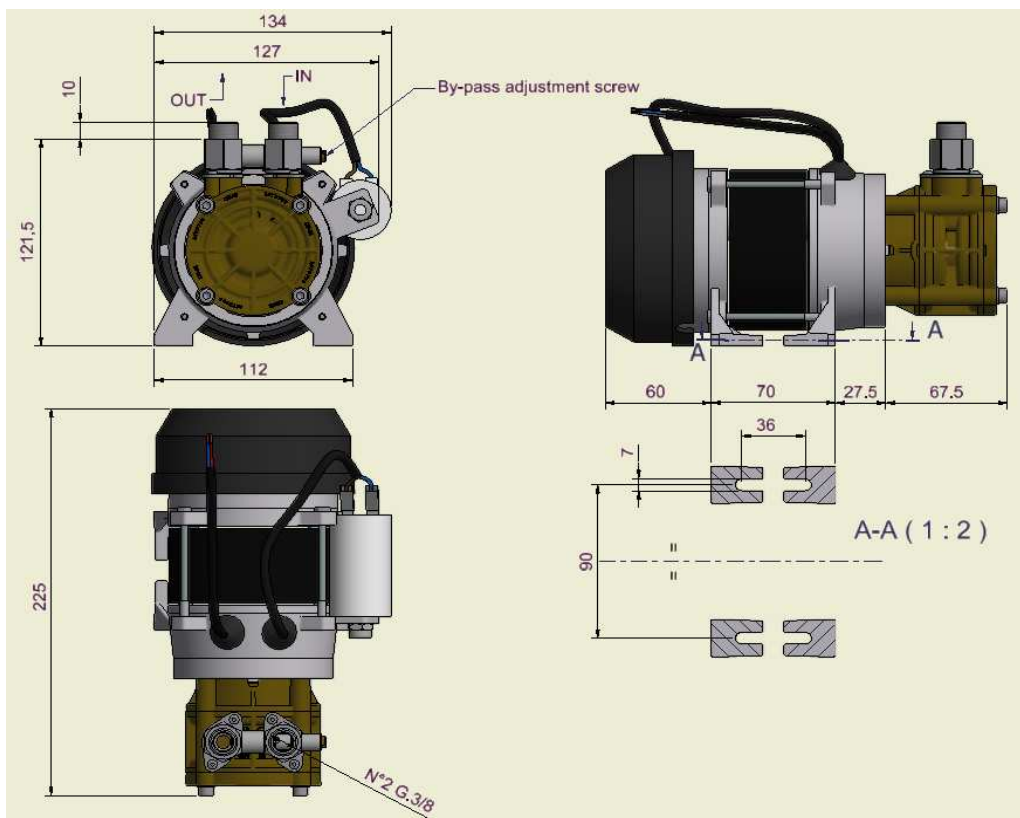


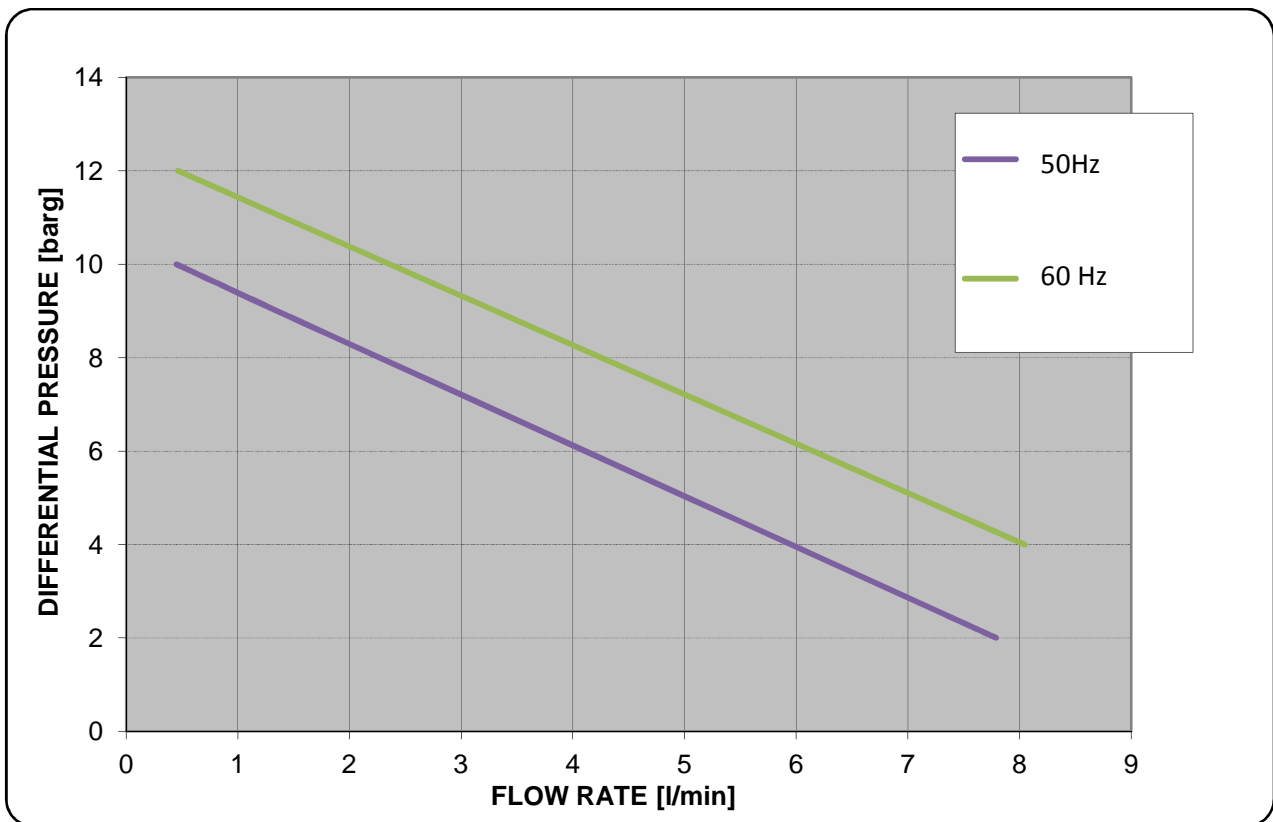
Family pump MTP700

- Peripheral Pump
- Electrical insulation, F/B
- ED 100%
- Thermal protection 140°C

2 Stage Peripheral pump suitable for use with water and low corrosion/abrasion fluids. Ideal for Carbonator, Reverse osmosis and espresso coffee machine	Technical data			
	Body material	PEI – Ultem PW2300-1000 / PPS Fortron MT9141L4		
	Seal material	NBR / CERAMIC / GRAPHITE		
	Shaft material	Stainless steel		
	Electrical connect	cable		
	Insulation class	F/B		
	Power Supply	230V / 1 / 50Hz	120V / 1 / 60Hz	
	Max. Absorbed Current	1,7 A	3,8 A	
	Approvals	CE – NSF61 (PENDING)	CE – NSF61 (PENDING)	
	Ambient temperature	50 °C		
	Fluid temperature	60 °C		
	Suction	Non Self Priming		
Hydraulic connection Inlet / Outlet				
	Standard G.3/8 Male / G.3/8 Male (With or without By-pass Valve)	Fast Joint From Ø8 to Ø3/8		



Pump model MTP700		
Hz	ΔP [barg]	Flow Rate [L/min]
50	0	8,5
50	7	3,2
50	10	0
60	0	9,5
60	7	5,5
60	12,5	0



Note: The inlet pressure shall be add on the above performance curve with the relative effect on the flow rate.

Hydraulic characteristics obtained with water at 20° C at pump nominal speed.

Working tolerance on Hydraulic and Electrical characteristics is $\pm 10\%$.