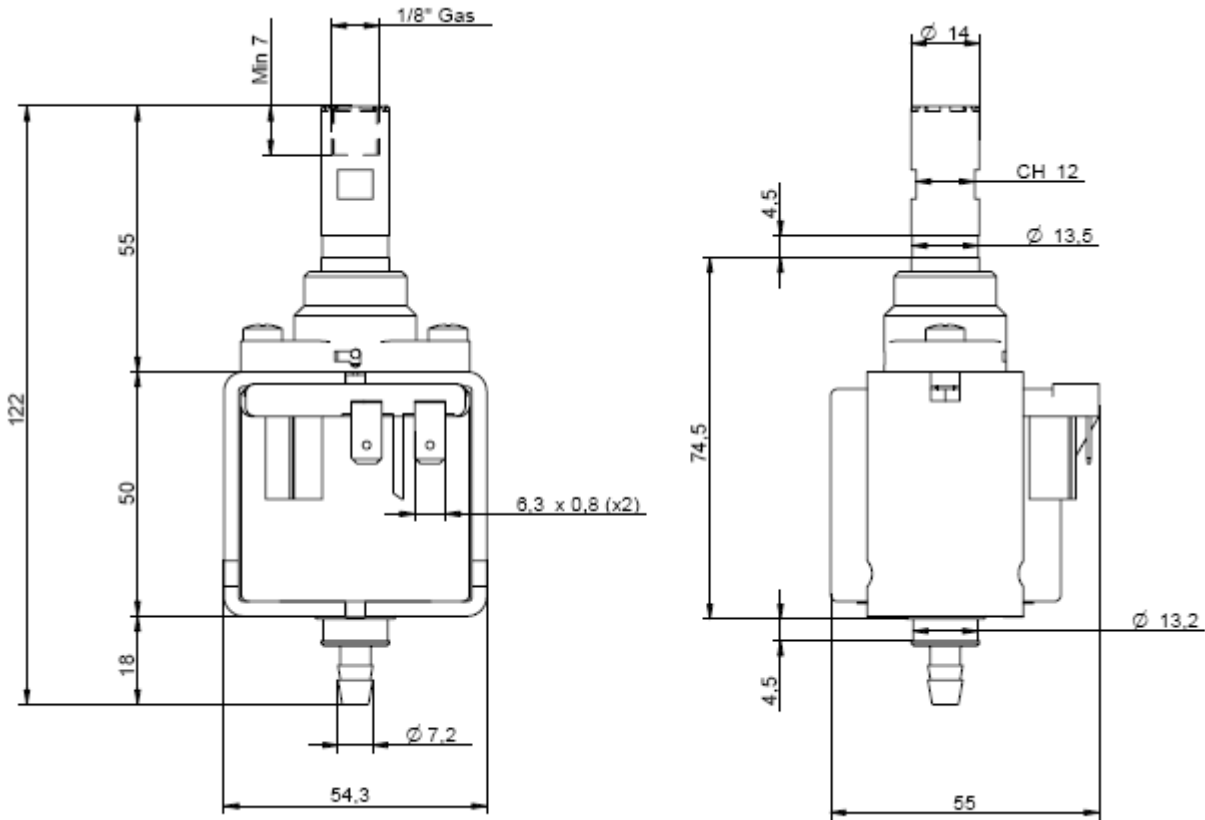


## Family pump E - high pressure



- Class see table below
- Electrical insulation, class II
- ED see table below
- Diode integrated (except for 24V)

Description	Technical data	
	Body material	PA66/POM
	Seal material	NBR (OTHER MATERIAL AVAILABLE ON REQUEST)
	Electrical connection	6,3 x 0,8 fast-on terminal
Insulation class	F	

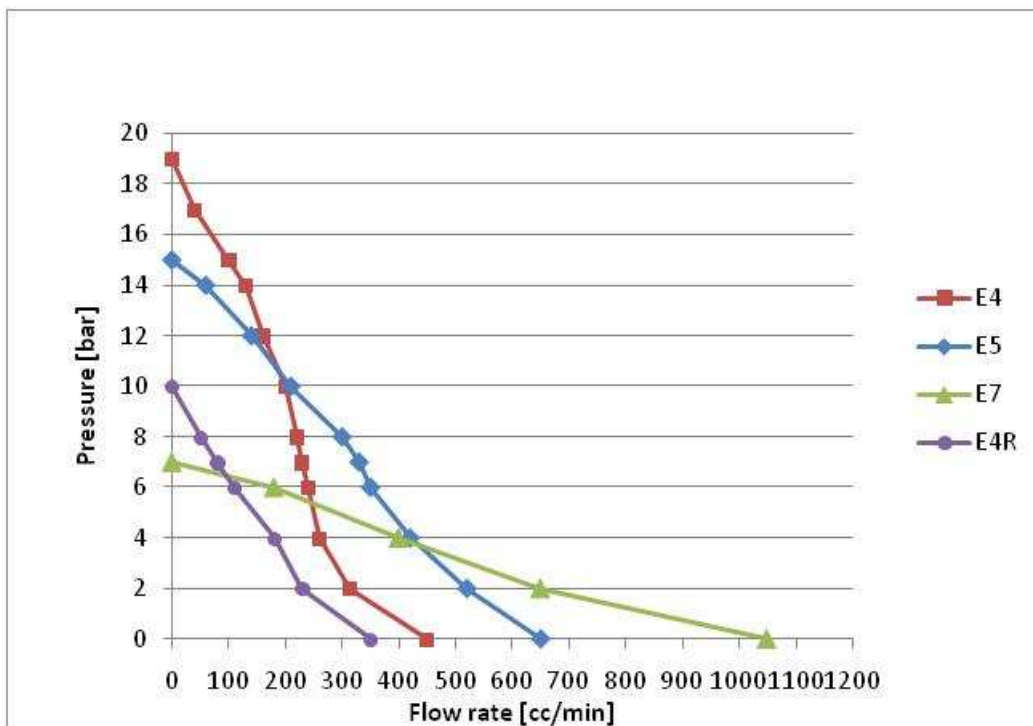
"Tutte le tipologie di pompe sono progettate e verificate utilizzando come fluido l'acqua. Sconsigliamo stoccaggi lunghi e/o temperature di magazzino elevate soprattutto con pompe prive di acqua all'interno: in questi casi vi suggeriamo di contattare il nostro ufficio tecnico per consigli in proposito ad evitare malfunzionamenti delle pompe."

"All types of pumps are designed and tested using water as the fluid. We do not recommend stocks long and / or high storage temperatures above pump without water inside: in these cases, we suggest that you contact our technical department for advice in this regard to prevent malfunction of the pump."

"Per il raccordo di uscita in plastica (versione EP) l'indicazione del filetto G 1/8" è indicativa e non può essere soggetta per il controllo alla norma UNI EN ISO 228/2; la tenuta non è garantita dal filetto, ma dalla guarnizione (vedere indicazioni a pagina 6)"

"For the outlet fitting plastic (EP version) an indication of the thread G 1/8" is indicative and cannot be subjected to control according the UNI EN ISO 228/2; the seal is not guaranteed by the thread, but by the sealing (see the instructions on page 6)"

Pressure [bar]	Average Flow Rate [cc/min]			
	E4	E5	E7	E4R
0	450	650	1050	350
2	315	520	650	230
4	260	420	400	180
6	240	350	180	110
7	230	330	0	80
8	220	300	---	50
10	200	210	---	0
12	160	140	---	---
14	130	60	---	---
15	100	0	---	---
17	40	---	---	---
19	0	---	---	---



<b>Type E</b>					
<b>Model</b>	<b>Voltages</b>	<b>ON/OFF</b>	<b>Class</b>	<b>W</b>	<b>Certificates</b>
EP4, EP5, EP7, EX4, EX5, EX7, EP4GW, EP5GW, EP7GW, EX4GW, EX5GW, EX7GW	240V~50Hz	2/1	F	48	IMQ
	230V~50Hz	2/1	F	48	IMQ/VDE
	220V~50Hz	2/1	F	48	IMQ
	200V~50-60Hz	2/1	F	48	
EAP4, EAP5, EAP7, EAX4, EAX5, EAX7	220V~60Hz	1/2	A	64	c-UL
	120V~60Hz	1/1,5	A	52	c-UL
EFP4, EFP5, EFP7, EFX4, EFX5, EFX7	120V~60Hz	2/1	F	52	c-UL
EP4, EP5, EP7, EX4, EX5, EX7	120V~60Hz	1/1	A	41	c-UL
EP4, EP5, EP7, EX4, EX5, EX7, EP4GW, EP5GW, EP7GW, EX4GW, EX5GW, EX7GW	100V~50-60Hz	2/1	F	55	
	24V~50-60Hz	2/1	F	48	