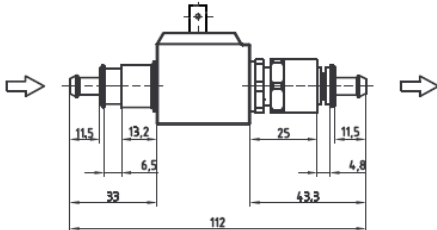
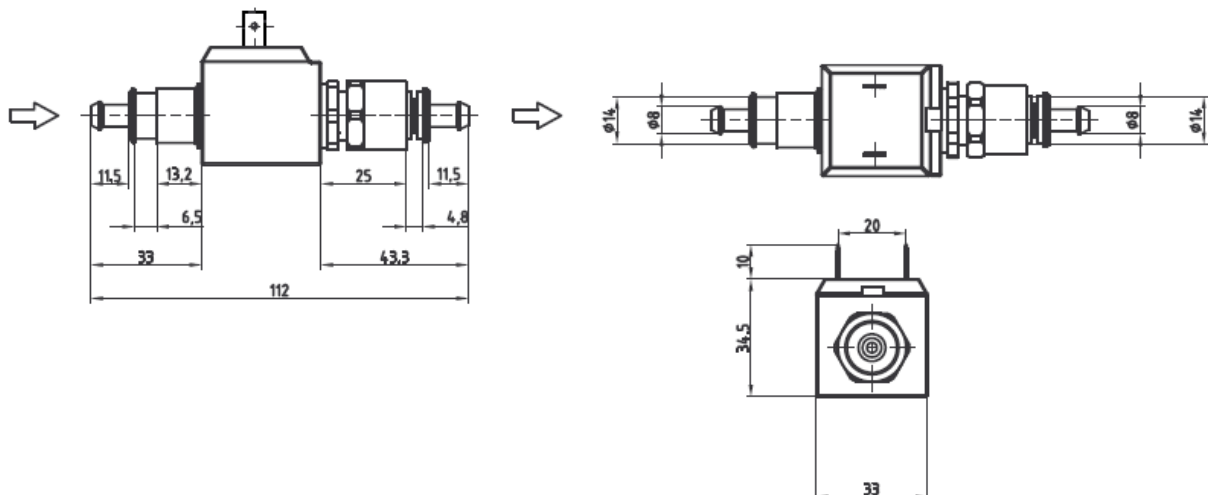


## Family pump E400

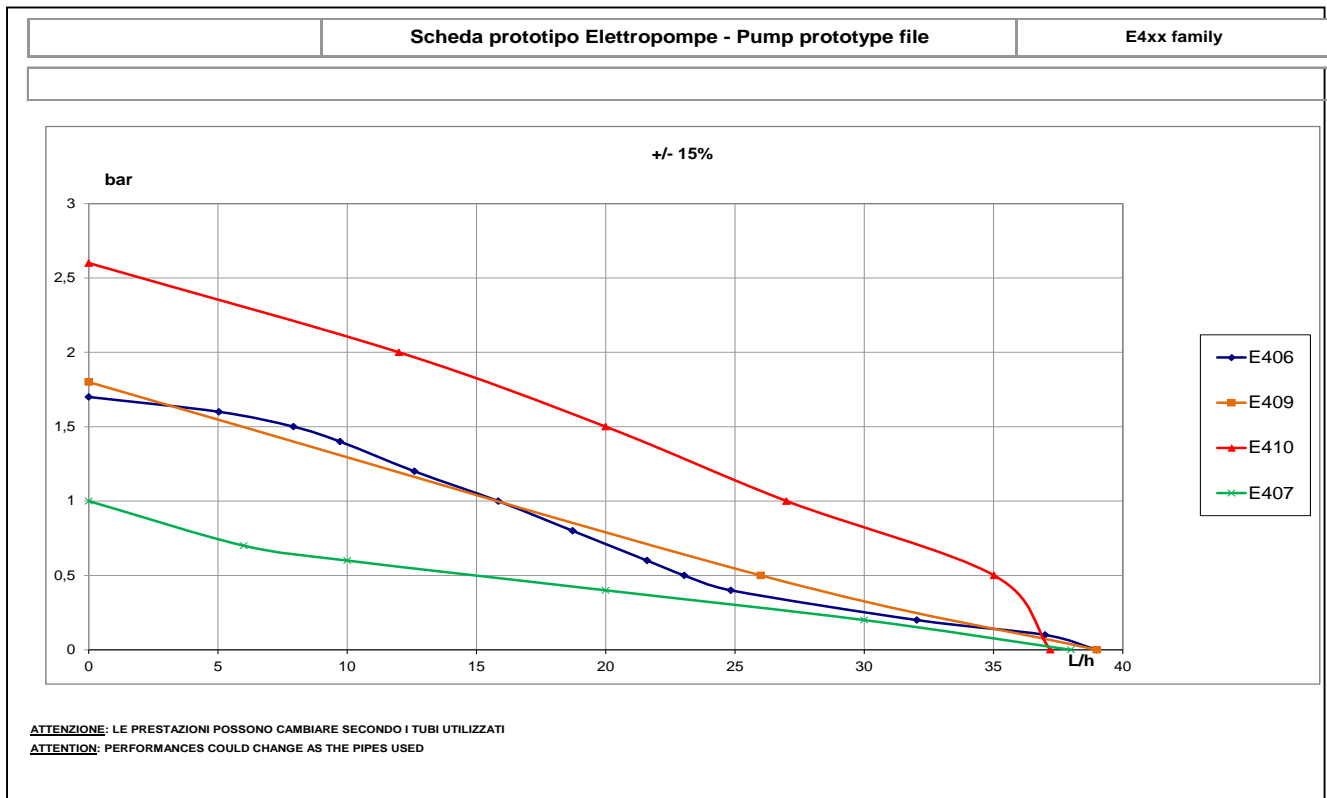


- Class 155
- Electrical insulation, class II
- ED 100% till 20W coil power
- Diode not integrated

											<b>Technical data</b>	
Body material	PA66 + PPS											
Seal material	EPDM/NBR											
Tube material	Stainless steel											
Electrical connect	6,3 x 0,8 fast-on terminal											
Insulation class	F											
Coil voltage	230V 50Hz			120V 60Hz			100V 50/60Hz			24V 50Hz		
Coil power	16W	20W	27W	16W	20W	27W	16W	20W	27W	20W		
Approvals	VDE CE	VDE CE	VDE CE	UL	UL	UL	CE	CE	CE	CE		
ON/OFF (min)	100%	100%	2/1	100%	100%	2/1	100%	100%	2/1	100%		
Ambient temperature	60 °C											
Fluid temperature	35 °C											
Suction power	100mbar											



Pump model					
	Coil power	sealing		Pmax [bar]	Flow max at 0bar [cc/min]
E406	16W	EPDM		1,7	690
E407	16W	NBR		1	700
E409	16W	EPDM		1,8	660
E410	27W	EPDM		2,8	620



## NOTE / NOTES

*“Tutte le tipologie di pompe sono progettate e verificate utilizzando come fluido l’acqua. Sconsigliamo stoccaggi lunghi e/o temperature di magazzino elevate soprattutto con pompe prive di acqua all’interno: in questi casi vi suggeriamo di contattare il nostro ufficio tecnico per consigli in proposito ad evitare malfunzionamenti delle pompe.”*

*“All types of pumps are designed and tested using water as the fluid. We do not recommend stocks long and/ or high storage temperatures above pump without water inside: in these cases we suggest that you contact the technical department for advice in this regard to prevent malfunction of the pump.”*